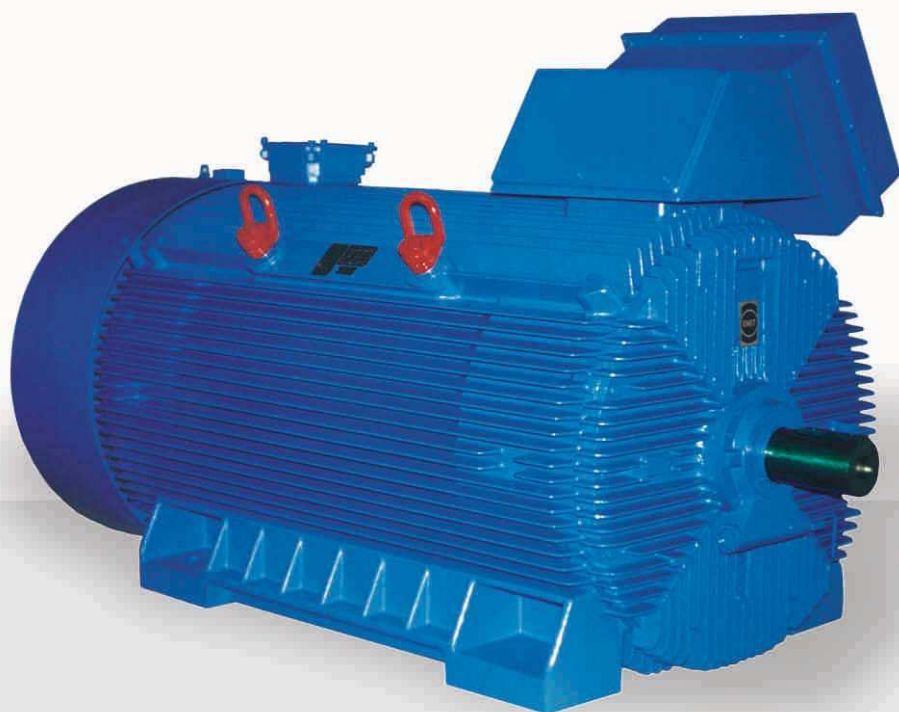
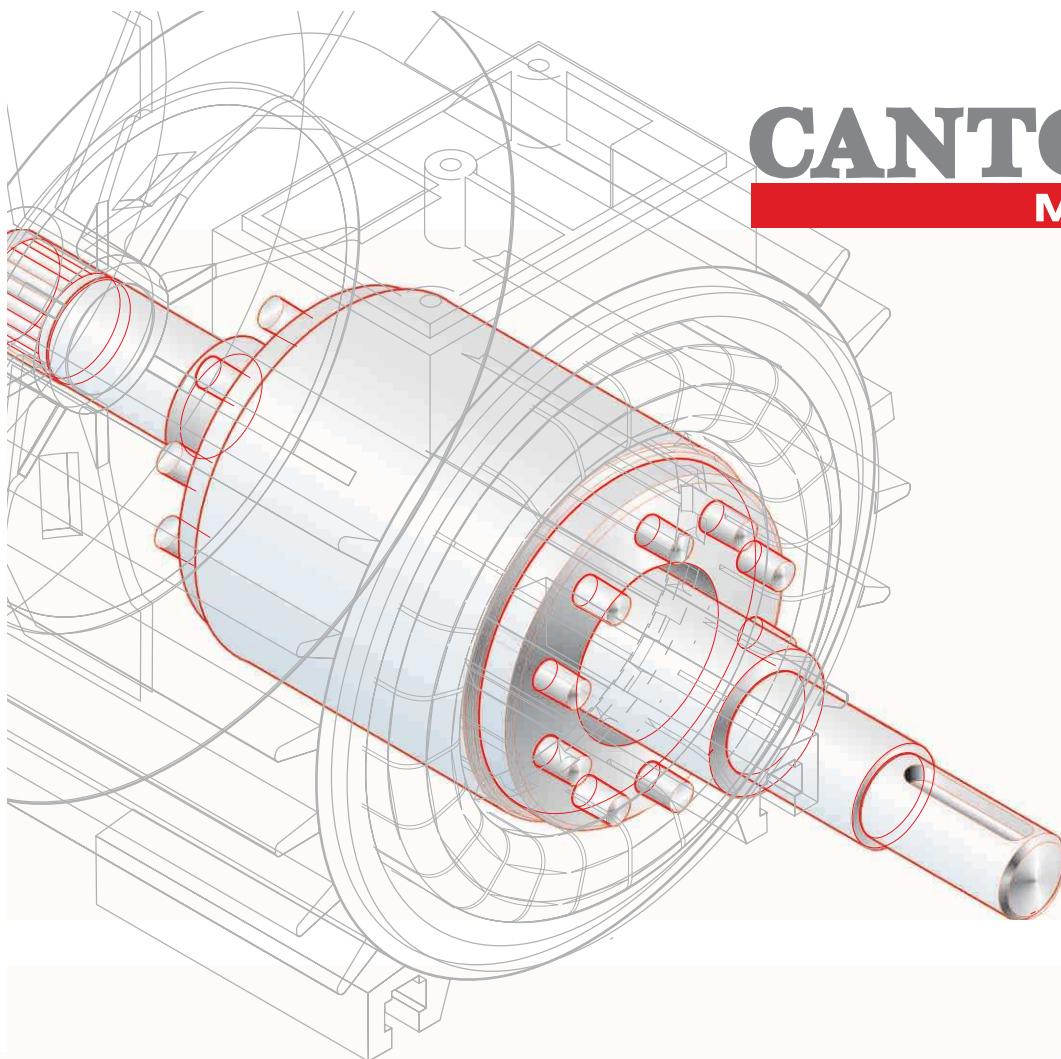


CANTONI
MOTOR



*High
Voltage
Squirrel
Cage
Motors*



Product Catalogue

Certificates

Cantoni Motor SA
ISO 9001
KEMA
Since September 30, 1999
Number 99515

Besel SA
ISO 9001
Since July 21, 1995

CELMA INDUKTA SA
ISO 9001
Germanisher Lloyd
Since June 16, 1995
Number QS-234 HH
ISO 14001
Germanisher Lloyd
Since November 15, 1999
Number EM-1835 HH

Emit SA
ISO 9001:2008
ISO 14001:2004
PN-N-18001:2004
Polski Rejestr Statków
Since January 23, 2012
Number NC-34

CERTIFICATE

ISO 9001:2008

DEKRA Certification Sp. z o.o. hereby certifies that the company
Cantoni Motor S.A.

Scope of certification:
Export sale of electric motors, co-ordination of the procurement of materials for the production of electric motors.

Certified location:
ul. Grażyńskiego 22 • PL – 43-300 Bielsko-Biala

has established and maintains a quality management system according to the above mentioned standards. The conformity was assessed with audit report no. W-A-927013/AS3U/8001.

This certificate is valid from 2013-07-02 to 2016-07-01 Certificate registration no.: 320611042/1 Duplicate

DEKRA Certification Sp. z o.o. • Pital Sainy 20 • 50-063 Wrocław • www.dekra-certification.com.pl 20130701

**CERTYFIKAT
CERTIFICATE**

Przyznany organizacji:
issued for:
Zakład Maszyn Elektrycznych "EMIT" S.A.
ul. Narutowicza 72
99-320 Żychlin

Buro Certyfikacji Systemów Zarządzania Polskiego Rejestru Statków S.A., al. gen. Józefa Hallera 126, 0-416 Gdańsk, zatwierdza, że Zintegrowany System Zarządzania obejmujący System Zarządzania Jakością, System Zarządzania Środowiskowego oraz System Zarządzania Bezpieczeństwem i Higieną, przy wyżej wymienionej organizacji został oceniony i stwierdzono jego zgodność z wymaganiami: management Systems Certification Bureau of Poland Rejestr Statków S.A., al. gen. Józefa Hallera 126, 0-416 Gdańsk, certifies that the Integrated Management System including the Quality Management System, Environmental Management System and Occupational Health and Safety Management System of the above organization has been assessed and found to be in accordance with the requirements of:

**ISO 9001:2008
ISO 14001:2004
PN-N-18001:2004**

Zakres certyfikacji:
- PROJEKTOWANIE I PRODUKCJA
- SILNIKÓW INDUKCYJNYCH TRÓJFAZOWYCH
- GENERATORÓW SYNCHRONICZNYCH
- MASZYN PRĄDU STAŁEGO
- ZBIORÓW PRĄDOWYCH
- CZĘŚCI I PODZESTAWÓW DO MASZYN ELEKTRYCZNYCH
- KONSTRUKCJA SPRAWYANYCH
ORAZ BIEŻNIKI MASZYN ELEKTRYCZNYCH

Scope of certification:
- DESIGN AND MANUFACTURE OF
- THREE-PHASE INDUCTION MOTORS
- SYNCHRONOUS GENERATORS
- POWER GENERATING SETS
- PARTS AND SUBASSEMBLIES FOR ELECTRIC MACHINES
- INCLINED STRUCTURES
AND REPAIRS OF ELECTRIC MACHINES

Certyfikat jest ważny do: 22.01.2015
The Certificate is valid until:

W Certyfikatu: NC-34
Certificate No.:

Gdańsk, 23.01.2012

Jan Jankowski
Polski Rejestr Statków
Jacek Papinski

Pozostanie w mocy w przypadku gdy nie zostanie wycofany przez organ certyfikacji.
The Arrangement will remain in force if not withdrawn by the certifying authority.

Certificate

GL
GL Systems Certification

GL Systems Certification herewith certifies, that the company
CELMA INDUKTA S.A.
ul. 3 Maja 19, PL-43-400 Cieszyń

with the subsidiary
Olewnia Żelwna Cieszyń Sp. z o.o.
ul. 3 Maja 19, PL-43-400 Cieszyń

has established and maintains a Management System relevant for
**Design, production and repair of electric machines.
Iron castings.**

GL Systems Certification confirms that the Management System of the above mentioned company has been assessed and found to be in accordance with the requirements of the following standard:
ISO 9001:2008

The validity of this certificate is subject to the company applying and maintaining its Management System in accordance with the standard indicated. This will be monitored by GL Systems Certification.

The certificate is valid from 04.11.2012 until 03.11.2015

GL Systems Certification Hub Romania
Certificate No. **QS-234 HH**

DAKKS
Deutsche
Akkreditierungsstelle
D-ZM-16026-03-02
Deutscher Lloyd (L) Compliance Centre System Certification, Brookholzer 18, D-20667 Hamburg

Daniel Sawi

CERTIFICATE

ISO 9001:2008

DEKRA Certification Sp. z o.o. hereby certifies that the company
Fabryka Silników Elektrycznych BESEL S.A.

Scope of certification:
Design, manufacture, sale and service of single-phase and three-phase asynchronous electric motors of low-power.

Certified location:
ul. Elektryczna 8 • PL – 49-300 Brzeg

has established and maintains a quality management system according to the above mentioned standard. The conformity was assessed with audit report no. Z-A-491512/33/P/9001

This certificate is valid from 19.06.2012 to 18.06.2015 Certificate registration no.: 900612060 Duplicate

DEKRA Certification Sp. z o.o.
Wrocław, 19.06.2012

Deutsche
Akkreditierungsstelle
D-ZM-16026-03-02
Deutscher Lloyd (L) Compliance Centre System Certification, Brookholzer 18, D-20667 Hamburg

Daniel Sawi

Cantoni[®] GROUP

Cantoni Motor S.A.
3 Maja 28
43-400 Cieszyn, Poland
tel.: +48 33 813 87 00
fax: +48 33 813 87 01
motor@cantonigroup.com
www.cantonimotor.com

since 1950



since 1920
since 1878



since 1921



since 1954



High Voltage Squirrel Cage Motors

This catalogue contains description and basic technical data of three-phase squirrel cage HV-motors, totally enclosed IP54 and IP55.

Basic production range of motors contains the following :

	Output range	Degree of protection	Cooling system	Mounting arrangement
Sf 315-450	160-1000 kW	IP 54	IC611	IM 1001 (B3) - welded frame
SVf 355-450	160-1000 kW	IP 54	IC511	IM 3011 (V1) - welded frame
Sf 355-710-E	160-2100 kW	IP 55	IC611	IM 1001 (B3) - welded frame
Sfw 560-710	1250-3200 kW	IP 55	IC81W	IM 1102 (B3) - welded frame
Sh 355-560	160-1800 kW	IP 55	IC411	IM 1001 (B3) - cast iron frame
SVh 355-560	160-1800 kW	IP 55	IC411	IM 3011 (V1) - cast iron frame

Totally enclosed IP54/55 motors can operate in contaminated atmosphere. However air dustiness cannot be greater than 10 mg/m³. Allowable contamination cannot be of aggressive type, such as acid or lye fumes. Ambient atmosphere should also be free from explosive mixtures and fine dust particulates. When operated outdoors, motors should be roofed to protect from direct rain, snow And sunshine.

"Sf-E", "Sfw" and "Sh" range motors can be applied in power industry and are suitable for operational conditions of thermal power station internal drives (such as pumps, ventilators, coal mills, belt conveyors, etc.) and for all drives of especially hard starting condition. Motors can be applied in fast Automatic Stand-by Switching systems. They could be restarted at 100% residual voltage and full phase opposition. The motor life is circa 5000 startings or 10000 reversals.

All the motors are manufactured in Quality Assurance System consistent with ISO 9001.

ISO9001

The motors covered by the present catalogue comply with the regulations and standards effective in other countries, consistent with IEC standards.

IEC

All the motors described in the present catalogue are provided with CE mark. It means that our products are consistent with the European Union directives regarding the safety measures.

CE

DESCRIPTION OF THE CATALOGUE VERSION

Series / Frame size	Sh 355 ÷ 560 SVh 355 ÷ 560	Sf 315 ÷ 450 SVf 315 ÷ 450	Sf 355 ÷ 710-E	Sfw 560 ÷ 710
Duty type	continuous, S1			
Voltage and frequency	6000V ±5% (Y), 50Hz ±2%			
Class of insulation	F(VPI)			
Ambient temperature	-20 C° ... +40 C°			0 C° ... +40 C°
Altitude	up to 1000 m above sea level			
Degree of protection (IEC 60034-5)	IP55	IP54		IP55
Method of cooling (IEC 60034-6)	IC411	IC611 IC511	IC611	IC81W
Starting	direct on line or frequency converter			
Number of terminals	3			
Location of main terminal box	acc. to dimensional drawings			
Bearings	bearings types acc. to table 1			
Noise level	acc. to EN 60034-9			
Vibration severity grade	N (≤ 2.8 mm/s) acc. to EN 60034-14			
Thermal winding protection	6×Pt100 (2 pcs/phase)			
Thermal bearing protection	2×Pt100 (1 pcs/bearing node)			
Space heaters	on request			
Adapted to frequency invert supply	on request			
Insulated of bearing chamber	on request			
Paint finish	blue - RAL 5010			
Material of frame	cast-iron frame	welded frame		
Corrosive protection	for normal ambient conditions (on request – for marine conditions; tropical TA; tropical TH)			
Standard	IEC 60034-1			

We reserve the right to change technical data without giving prior notice.

DESCRIPTION OF THE CUSTOMISED VERSION

- Supply voltage within the range: 3000 - 6600 V
- Frequency 60 Hz (without 2-pole motors)
- Bearing vibration sensors installed
- Terminal box placed on left side of frame
- For special environmental conditions
- Space heaters installed

TOLERANCES

In conformity with IEC 60034-1 the tolerances are:

- Efficiency (η): -0,1(1- η)
- Power factor ($\cos\phi$): -1/6(1- $\cos\phi$)
- Slip : $\pm 20\%$
- Starting current: +20 %
- Starting torque: -15 % up to + 25%
- Breakdown torque: -10 %,
- Rotor of inertia: $\pm 10\%$

BEARINGS

Type of motor	Number of poles	DE side	NDE side
Sh 355	2	6217 C3	6217 C3
SLh 355	4 ÷ 8	6322 MC3	6322 MC3
SVh 355	4 ÷ 8	6322 MC3	6322 MC3
Sh 400	2	6218 MC3	6218 MC3
SLh 400	4 ÷ 8	6324 MC3	6322 MC3
SVh 400	4 ÷ 8	6324 MC3	7322 BTVP
Sh 450	2	EFNLB 9-90 lub 6318 MC3	EFNLQ 9-90 lub 6318 MC3
SLh 450	4 ÷ 10	6324 MC3	NU222 EM1
SVh 450	4 ÷ 10	6324 MC3	7322 BTVP
Sh 500	2	EFNLB 11-100	EFNLQ 9-100
SLh 500	4 ÷ 12	NU226 EM1+ 6226 MC3	NU226 EM1
SVh 500	4 ÷ 12	6326 MC3	QJ326N2MPA
Sh 560	2	EFZLK 11-125	EFZLQ 11-100
SLh 560	4 ÷ 10	NU230 EM1 + 6230 MC3	NU226 EM1
SVh 560	4 ÷ 10	6232 MC3	7332 BMP
Sf 315 XK;X;Y	2	6317 C3	6317 C3
	4	6320 MC3	NU320 EM1
	6	6320 C3	NU320 EM1
Sf 355 X;Y	2	6318 C3	6318 C3
	4 ÷ 8	NU222 EM1 + 6222 MC3	NU222 EM1
SVf 355	4 ÷ 8	6322 C3	7322 BTVP
Sf 400 X;Y	4 ÷ 8	NU226 EM1 + 6226 MC3	NU226 EM1
SVf 400	4 ÷ 8	6324 C3	7322 BTVP
Sf 450 X;Y	4 ÷ 8	NU226 EM1 + 6226 MC3	NU226 EM1
SVf 450	4 ÷ 12	6326 C3	7322 BTVP
Sfw 560 J	2	EFZLB 9-100	EFZLQ 9-100
Sfw 560	2	EFZLB 11-125	EFZLQ 11-125
Sfw 560	4	6234 MC3 + NU234 EM1C3	NU232 EM1C3
Sf 560 X;Y	4 ÷ 12	NU226 EM1 + 6226 MC3	NU226 EM1
Sf 560 H	4 ÷ 12	NU232 EM1 + 6232 MC3	NU226 EM1
Sfw 710	2	EFZLK 14-140	EFZLQ 11-125
Sf 710 X;Y	4 ÷ 6	NU234 EM1 + 6234 MC3	NU232 EM1
Sf 710 X;Y	8 ÷ 12	NU238 EM1 + 6238 MC3	NU232 EM1

2-pole motors (3000 rpm) mechanical size 450÷710 are equipped with slide bearings produced by RENK AG. In motors of mechanical size 450 and 500 bearings have self oil (own lubricating ring), whereas motors of mechanical size 560÷710 have forced oil lubrication.

Type of oil: machine oil ISO VG32.

4-12 pole motors and 2-pole motors mechanical size 355÷450 are equipped with antifriction bearing with possibility of lubricating during operation and with device for removal used up grease. It is placed in down part of external bearing cover.

Type of grease: Motor-Life 16 and Mobilux EP3.

Totally Enclosed Motors IP54/55
Mounting Arrangement IM 1001 (B3)
Cooling System IC 611
Voltage 6000 V, 50 Hz

TECHNICAL DATA

Item	Type of motor	Rated output		Rated speed	Rated torque	Efficiency	Power factor	Full load current	Starting torque	Starting current	Breakdown torque	Moment of inertia	Weight
		P_N											
		[kW]	[HP]										
		η_N	M_N	η_N	$\cos \varphi_N$	I_N	M_r/M_N	I_r/I_N	M_{max}/M_N	J	m		
		[rpm]	[Nm]	[%]	[-]	[A]	[-]	[-]	[-]	[-]	[kgm ²]	[kg]	
2p=2 n_s=3000 rpm													
1.	Sf 315 XK2	160	220	2972	514	92,9	0,9	18,4	1,0	6,0	2,7	2	1360
2.	Sf 315 X2	200	270	2972	643	93,6	0,9	22,8	1,1	6,3	2,7	2,2	1450
3.	Sf 315 Y2	250	340	2971	804	94,2	0,9	28,4	1,1	6,3	2,7	2,4	1540
4.	Sf 355 Y2B	315	430	2971	1013	93,6	0,91	35,6	1,0	6,0	2,7	3,7	1930
5.	Sf 355 Y2	400	540	2974	1285	95,1	0,91	44,5	1,0	6,4	2,7	4,2	2100
2p=4 n_s=1500 rpm													
6.	Sf 315 XK4	160	220	1484	1030	92,8	0,86	19,3	1,1	5,6	2,5	4,2	1400
7.	Sf 315 X4	200	270	1485	1286	94,2	0,86	23,8	1,4	6,0	2,6	4,8	1510
8.	Sf 315 Y4	250	340	1485	1608	94,3	0,87	29,3	1,3	6,0	2,8	5,5	1680
9.	Sf 355 X4	315	430	1485	2026	94,0	0,87	37,1	1,3	5,7	2,3	7,8	2060
10.	Sf 355 Y4	400	540	1486	2571	94,9	0,87	46,6	1,4	6,0	2,5	9,4	2310
11.	Sf 400 X4	500	680	1487	3211	95,1	0,9	56,2	1,0	6,0	2,5	17	3140
12.	Sf 400 Y4	630	850	1486	4049	95,4	0,9	70,6	0,9	5,8	2,4	18,5	3240
13.	Sf 450 X4	800	1080	1489	5131	95,7	0,9	89,4	1,0	6,2	2,6	32,8	4080
14.	Sf 450 Y4	1000	1350	1489	6414	95,9	0,9	111	1,0	6,2	2,6	36,3	4240
2p=6 n_s=1000 rpm													
15.	Sf 315 X6	160	220	989	1545	93,6	0,83	19,8	1,1	5,5	2,5	6,8	1540
16.	Sf 315 Y6	200	270	989	1931	94,0	0,83	24,7	1,3	5,6	2,5	7,8	1720
17.	Sf 355 X6	250	340	989	2414	94,0	0,83	30,8	1,4	5,6	2,4	10,6	2080
18.	Sf 355 Y6	315	430	990	3039	94,6	0,83	38,6	1,5	6,0	2,4	13,1	2400
19.	Sf 400 X6	400	540	990	3859	94,8	0,84	48,3	1,2	5,8	2,3	21,8	3100
20.	Sf 400 Y6	500	680	990	4823	95,1	0,84	60,2	1,3	6,0	2,5	25,9	3390
21.	Sf 450 X6	630	850	992	6065	95,0	0,89	71,7	1,0	6,0	2,4	51,6	4100
22.	Sf 450 Y6	800	1080	991	7709	95,3	0,89	90,8	1,0	5,6	2,3	56,7	4310
2p=8 n_s=750 rpm													
23.	Sf 355 X8	160	220	741	2062	93,2	0,78	21,2	1,3	5,5	2,5	10,6	2080
24.	Sf 355 Y8	200	270	741	2578	93,8	0,78	26,3	1,4	5,7	2,5	13,1	2400
25.	Sf 400 X8	250	340	742	3218	93,6	0,81	30,8	1,1	5,8	2,6	23,4	2980
26.	Sf 400 Y8	315	430	742	4054	93,9	0,81	39,9	1,1	5,7	2,5	26	3160
27.	Sf 450 X8	400	540	743	5141	94,4	0,83	49,1	1,1	6,0	2,5	49,6	3870
28.	Sf 450 Y8	500	680	744	6418	94,7	0,83	61,2	1,3	6,1	2,5	56,7	4120
29.	Sf 450 Y8B	650	880	742	8366	95,1	0,85	77,4	1,3	5,6	2,1	65	4450
2p=10 n_s=600 rpm													
30.	Sf 450 X10A	160	220	595	2568	93,2	0,77	21,5	1,1	6,0	2,9	40,2	3320
31.	Sf 450 X10B	200	270	594	3216	94,5	0,79	25,8	1,1	5,9	2,8	43,2	3430
32.	Sf 450 X10C	250	340	594	4019	94,6	0,8	31,8	1,2	6,0	2,7	48,9	3600
33.	Sf 450 X10D	315	430	593	5073	93,8	0,8	40,4	1,1	5,9	2,5	54,5	3800
34.	Sf 450 Y10	400	540	593	6442	94,1	0,81	50,5	1,1	6,0	2,5	64,4	4090
35.	Sf 450 Y10B	500	680	593	8052	94,8	0,80	63,4	1,0	5,6	2,3	78,3	4300
2p=12 n_s=500 rpm													
36.	Sf 450 X12A	160	220	495	3087	94,0	0,79	20,7	0,9	5,7	2,6	41,3	3490
37.	Sf 450 X12B	200	270	494	3866	94,0	0,79	25,9	0,9	5,5	2,6	47	3630
38.	Sf 450 X12C	250	340	494	4833	94,3	0,79	32,3	0,9	5,7	2,6	51	3720
39.	Sf 450 Y12	315	430	494	6090	94,5	0,81	39,6	0,9	5,7	2,6	61,5	3980
40.	Sf 450 Y12B	400	540	494	7733	95,0	0,81	50,0	0,9	5,8	2,6	73,5	4300

Totally Enclosed Motors IP 54/55
Mounting Arrangement IM 3011 (V1)
Cooling System IC 511
Voltage 6000 V, 50 Hz

Item	Type of motor	Rated output		Rated Speed	Rated torque	Efficiency	Power factor	Full load current	Starting torque	Starting current	Breakdown torque	Moment of inertia	Weight
		P_N [kW]	[HP]										
		n_N [rpm]	M_N [Nm]	η_N [%]	$\cos \varphi_N$ [-]	I_N [A]	M_f/M_N [-]	I_f/I_N [-]	M_{max}/M_N [-]	J [kgm ²]	m [kg]		
2p=4 n_s=1500 rpm													
41.	SVf 355 X4A	160	220	1487	1028	93	0,86	19,2	1,1	5,8	2,7	5,2	1620
42.	SVf 355 X4B	200	270	1486	1285	93,6	0,87	23,6	1,1	5,6	2,5	5,8	1700
43.	SVf 355 X4C	250	340	1487	1606	94,4	0,88	28,9	1,3	6,0	2,6	6,8	1810
44.	SVf 355 X4	315	430	1485	2026	94,4	0,87	37,1	1,1	5,6	2,4	7,8	2060
45.	SVf 355 Y4	400	540	1486	2571	94,9	0,87	46,6	1,4	6,0	2,5	9,4	2210
46.	SVf 400 X4	500	680	1487	3211	95,1	0,9	56,2	1,0	6,0	2,5	17	3140
47.	SVf 400 Y4	630	850	1486	4049	95,4	0,9	70,6	0,9	5,8	2,4	18,5	3240
48.	SVf 450 X4	800	1080	1489	5131	95,7	0,9	89,4	1,0	6,2	2,6	32,8	4080
49.	SVf 450 Y4	1000	1350	1489	6414	95,9	0,9	111	1,0	6,2	2,6	36,3	4240
2p=6 n_s=1000 rpm													
50.	SVf 355 X6A	160	220	990	1543	93,6	0,83	19,8	1,2	5,4	2,4	7,4	1710
51.	SVf 355 X6B	200	270	991	1927	94,2	0,83	24,6	1,3	5,8	2,4	8,6	1830
52.	SVf 355 X6	250	340	989	2414	94	0,83	30,8	1,4	5,6	2,4	10,6	2080
53.	SVf 355 Y6	315	430	990	3039	94,6	0,83	38,6	1,5	6,0	2,4	13,1	2400
54.	SVf 400 X6	400	540	990	3859	94,8	0,84	48,3	1,2	5,8	2,3	21,8	3100
55.	SVf 400 Y6	500	680	990	4823	95,1	0,84	60,2	1,3	6,0	2,5	25,9	3390
56.	SVf 450 X6	630	850	992	6065	95	0,89	71,7	1,0	6,0	2,4	51,6	4100
57.	SVf 450 Y6	800	1080	991	7709	95,3	0,89	90,8	1,0	5,6	2,3	56,7	4310
2p=8 n_s=750 rpm													
58.	SVf 355 X8	160	220	741	2062	93,4	0,78	21,1	1,3	5,5	2,5	10,6	2080
59.	SVf 355 Y8	200	270	741	2578	93,8	0,78	26,3	1,4	5,7	2,5	13,1	2400
60.	SVf 400 X8	250	340	742	3218	93,6	0,81	31,7	1,1	5,8	2,6	23,4	2980
61.	SVf 400 Y8	315	430	742	4054	93,9	0,81	39,9	1,1	5,7	2,5	26	3160
62.	SVf 450 X8	400	540	743	5141	94,4	0,83	49,1	1,1	6,0	2,5	49,6	3870
63.	SVf 450 Y8	500	680	744	6418	94,7	0,83	61,2	1,3	6,1	2,5	56,7	4120
64.	SVf 450 Y8B	650	880	742	8366	95,1	0,85	77,4	1,3	5,6	2,1	65	4450
2p=10 n_s=600 rpm													
65.	SVf 450X10A	160	220	595	2568	93,2	0,77	21,5	1,1	6,0	2,9	40,2	3320
66.	SVf 450 X10B	200	270	594	3216	94,5	0,79	25,8	1,1	5,9	2,8	43,2	3430
67.	SVf 450 X10C	250	340	594	4019	94,6	0,8	31,8	1,2	6,0	2,7	48,9	3600
68.	SVf 450 X10D	315	430	593	5073	93,8	0,8	40,4	1,1	5,9	2,5	54,5	3800
69.	SVf 450 Y10	400	540	593	6442	94,1	0,81	50,5	1,1	6,0	2,5	64,4	4090
70.	SVf 450 Y10B	500	680	593	8052	94,8	0,82	63,5	1,0	5,6	2,3	78,3	4300
2p=12 n_s=500 rpm													
71.	SVf 450 X12A	160	220	495	3087	94	0,79	20,7	0,9	5,7	2,6	41,3	3490
72.	SVf 450 X12B	200	270	494	3866	94	0,79	25,9	0,9	5,5	2,6	47	3630
73.	SVf 450 X12C	250	340	494	4833	94,3	0,79	32,3	0,9	5,7	2,6	51	3720
74.	SVf 450 Y12	315	430	494	6090	94,5	0,81	39,6	0,9	5,7	2,6	61,5	3980
75.	SVf 450 Y12B	400	540	494	7733	95	0,81	50	0,9	5,8	2,6	73,5	4300

TECHNICAL DATA

Totally Enclosed IP 55
 Mounting Arrangement IM 1001 (B3)
 Cooling System IC 611, IC 81W
 Voltage 6000 V, 50 Hz

Motors for Power Engineering Industry

TECHNICAL DATA

Item	Type of motor	Rated output		Rated speed	Rated torque	Efficiency	Power factor	Full load current	Starting torque	Starting current	Breakdown torque	Moment of inertia	Weight
		P_N [kW]	[HP]										
		η_N [rpm]	M_N [Nm]	η_N [%]	$\cos \varphi_N$ [-]	I_N [A]	M_r/M_N [-]	I_r/I_N [-]	M_{max}/M_N [-]	J [kgm ²]	m [kg]		
2p=2 n_s=3000 rpm													
76.	Sf 355 Y2-E	250	340	2973	803	93,8	0,90	28,5	1,1	5,3	2,6	4,9	1970
77.	Sf 355 Y2-E	280	380	2973	899	94,5	0,89	31,9	0,9	5,3	2,7	4,9	1970
78.	Sf 355 Y2-E	315	430	2974	1012	94,4	0,89	36,2	0,9	5,7	2,5	4,9	1970
79.	Sfw 560 J2A-G	1250	1680	2987	3999	96,7	0,90	138	0,5	5,7	2,3	29	5850
80.	Sfw 560 J2B-G	1400	1880	2988	4475	96,3	0,90	155	0,5	6,2	2,4	29	5850
81.	Sfw 560-2	1600	2140	2984	5121	96,4	0,90	177	0,7	6,1	2,4	39,7	7160
82.	Sfw 560-2A	1800	2400	2983	5762	96,5	0,89	202	0,6	5,4	2,1	39,7	7160
83.	Sfw 5602B	2000	2680	2983	6403	96,7	0,90	221	0,9	6,0	2,3	45,1	7520
84.	Sfw 710-2A	2250	3040	2986	7196	96,6	0,90	249	0,9	4,8	1,9	80,4	8750
85.	Sfw 710-2B	2500	3380	2988	7990	96,7	0,90	276	0,5	5,5	2,1	89,5	9300
86.	Sfw 710-2C	2800	3780	2984	8946	96,9	0,89	312	0,6	4,5	1,9	99	9400
87.	Sfw 710-2D	3150	4260	2987	10071	97,1	0,90	347	0,45	5,5	2,1	110	9500
2p=4 n_s=1500 rpm													
88.	Sf 355 X4A-E	200	270	1484	1287	93,5	0,86	23,9	1,9	6,0	2,4	7,3	2100
89.	Sf 355 X4B-E	250	340	1482	1609	93,6	0,86	30,3	1,9	5,9	2,4	8,3	2220
90.	Sf 355 Y4-E	315	430	1486	2024	93,7	0,86	37,6	1,8	6,0	2,5	9,4	2430
91.	Sf 400 X4-E	400	540	1478	2585	94,3	0,89	45,9	1,2	5,0	2,1	17	3250
92.	Sf 400 Y4-E	500	680	1479	3229	94,7	0,89	57,1	1,25	5,2	2,1	20,6	3510
93.	Sf 450 X4-E	650	880	1484	4183	94,8	0,86	76,7	1,8	6,0	2,3	32,8	4230
94.	Sf 450 Y4-E	850	1140	1483	5474	95,2	0,86	100	1,7	5,7	2,3	36,3	4540
95.	Sf 560 X4-E	1000	1350	1491	6405	95,9	0,91	110	0,8	6,5	2,5	60	5980
96.	Sf 560 Y4-E	1250	1680	1491	8006	96,2	0,91	138	0,8	6,5	2,5	68,5	6400
97.	Sf 560 Y4B-E	1400	1880	1490	8973	96,2	0,91	154	0,7	6,0	2,2	68,5	6400
98.	Sf 560 H4-E	1600	2140	1490	10255	96,4	0,89	180	0,7	5,9	2,1	78	7100
99.	Sf 560 H4B-E	1800	2400	1490	11537	96,6	0,90	200	0,8	6,0	2,2	85,5	7750
100.	Sf 560 H4C-E	2000	2680	1492	12802	97,0	0,91	218	0,7	6,3	2,3	105	8100
101.	Sfw 560-4A*	2200	2950	1494	14063	97,2	0,88	248	0,7	6,6	2,4	100	8300
102.	Sfw 560-4B*	2500	3350	1494	15981	97,3	0,88	281	0,7	6,5	2,3	110	8500
103.	Sfw 560-4C*	2800	3750	1494	17898	97,4	0,89	311	0,7	6,5	2,2	120	8900
104.	Sfw 560-4D*	3200	4290	1494	20455	97,5	0,89	355	0,7	6,3	2,2	135	9300
2p=6 n_s=1000 rpm													
105.	Sf 315 Y6-E	160	220	991	1542	94,8	0,82	19,8	2,2	5,9	2,1	7,4	1730
106.	Sf 355 X6-E	200	270	985	1939	93,3	0,81	25,4	2,0	5,8	2,4	11,5	2240
107.	Sf 355 Y6-E	250	340	985	2424	93,9	0,82	31,2	2,0	5,8	2,4	13,1	2450
108.	Sf 400 X6-E	315	430	982	3063	93,8	0,81	39,9	1,8	5,2	2,3	21,8	3150
109.	Sf 400 Y6-E	400	540	982	3890	94,2	0,81	50,5	1,85	5,3	2,3	25,9	3540
110.	Sf 450 X6-E	500	680	987	4838	94,8	0,86	59,0	1,7	6,0	2,3	51,6	4270
111.	Sf 450 Y6-E	630	850	986	6102	95,0	0,86	74,2	1,6	5,6	2,1	56,7	4560
112.	Sf 560 X6-E	800	1080	993	7694	95,5	0,88	92,0	0,9	6,5	2,4	86,0	6020
113.	Sf 560 Y6-E	1000	1350	993	9617	95,9	0,88	114	0,9	6,5	2,4	98,0	6440
114.	Sf 560 H6-E	1250	1680	994	12020	96,7	0,89	140	0,7	6,2	1,9	136	7880
115.	Sf 560 H6-E	1400	1880	995	13437	96,8	0,88	158	0,8	6,2	2,0	136	7880
116.	Sf 560 H6B-E	1500	2000	995	14397	97,0	0,89	167	0,9	6,6	2,2	153	8330
117.	Sf 560 H6C-E	1700	2280	996	16300	97,1	0,89	189	0,6	6,3	2,1	153	8330

* dimensional drawing of Sfw series available on request

Totally Enclosed IP 55
Mounting Arrangement IM 1001 (B3)
Cooling System IC 611
Voltage 6000 V, 50 Hz

Motors for Power Engineering Industry

Item	Type of motor	Rated output		Rated Speed	Rated torque	Efficiency	Power factor	Full load current	Starting torque	Starting current	Breakdown torque	Moment of inertia	Weight
		P_N [kW]	P_N [HP]										
2p=8 $n_s=750$ rpm													
118.	Sf 355 Y8-EA	160	220	744	2054	94,4	0,73	22,3	2,3	6,7	2,7	13,1	2430
119.	Sf 355 Y8-EA	200	270	742	2574	93,8	0,76	27	2,2	5,9	2,3	13,1	2430
120.	Sf 450 X8A-E	200	270	740	2581	93	0,78	26,5	1,9	5,7	2,2	39	3640
121.	Sf 450 X8B-E	250	340	739	3231	93,5	0,79	32,6	1,9	5,5	2,1	44	3800
122.	Sf 450 X8C-E	315	430	739	4071	93,9	0,79	40,9	1,9	5,4	2,1	50	4020
123.	Sf 450 Y8-E	400	540	739	5169	94,3	0,79	51,7	1,9	5,4	2,1	57	4370
124.	Sf 560 X8-E	500	680	744	6418	95,1	0,86	58,8	0,9	5,8	2,2	89	5650
125.	Sf 560 Y8-E	630	850	744	8087	95,4	0,86	73,9	1,0	6,0	2,2	97	6090
126.	Sf 560 H8-E	800	1080	746	10241	96,5	0,86	92,9	0,7	5,5	2,1	136	7300
127.	Sf 560 H8B-E	1000	1350	746	12802	96,8	0,86	115	0,8	5,6	2,0	178	8000
128.	Sf 560 H8C-E	1250	1680	745	16023	96,8	0,86	145	0,7	5,1	1,9	182	8260
129.	Sf 710 X8	1400	1880	746	17922	96,7	0,87	160	0,55	5,7	2,0	224	10180
130.	Sf 710 X8B	1600	2140	746	20483	96,7	0,87	183	0,6	6,0	2,1	224	10180
131.	Sf 710 Y8	1800	2400	746	23043	96,8	0,87	206	0,6	5,9	2,1	251	10660
132.	Sf 710 Y8B	2000	2680	746	25603	96,9	0,87	228	0,6	6,0	2,0	288	11270
133.	Sf 710 Y8C	2100	2820	746	26883	97,0	0,87	240	0,5	5,6	1,9	288	11270
2p=10 $n_s=600$ rpm													
134.	Sf 560 X10-E	560	760	595	8988	95,8	0,82	68,5	1,1	6,0	2,2	136	5900
135.	Sf 560 Y10-E	630	850	595	10112	95,9	0,82	77	1,2	6,4	2,3	156	6240
136.	Sf 560 H10-E	800	1080	596	12819	96	0,83	96,7	1,1	6,0	2,2	180	6620
137.	Sf 710 X10	1000	1350	596	16050	96,4	0,84	119	0,8	5,1	1,9	272	9900
138.	Sf 710 Y10	1250	1680	596	20029	96,2	0,84	149	1,0	6,0	2,1	316	10400
139.	Sf 710 Y10B	1400	1880	595	22471	96,2	0,84	167	1,0	6,0	2,1	344	10700
2p=12 $n_s=500$ rpm													
140.	Sf 560 X12-E	500	680	495	9646	95,6	0,82	61,5	0,8	5,8	2,2	136	5800
141.	Sf 560 X12-E	560	760	494	10826	95,4	0,83	68,1	0,75	5,2	2,0	136	5800
142.	Sf 560 Y12-E	630	850	494	12179	95,5	0,83	76,6	0,8	5,3	2,0	160	6200
143.	Sf 560 H12-E	800	1080	495	15434	95,7	0,83	97,0	0,8	5,5	2,0	215	7680
144.	Sf 710 X12	1000	1350	497	19254	96,2	0,80	125	0,7	5,5	1,9	290	10500
145.	Sf 710 Y12	1250	1680	497	24019	96,3	0,80	156	0,8	5,4	2,0	316	11200
146.	Sf 710 Y12B	1350	1810	497	25941	96,0	0,78	174	0,7	5,7	1,9	344	11500
147.	Sf 710 Y12C	1450	1950	497	27862	96,4	0,81	179	0,6	5,5	2,0	344	11500

TECHNICAL DATA

**Totally Enclosed IP 55
Mounting Arrangement IM 1001 (B3)
Cooling System IC 411
Voltage 6000 V, 50 Hz**

High Efficiency Motors

TECHNICAL DATA

Item	Type of motor	Rated output		Rated speed	Rated torque	Efficiency	Power factor	Full load current	Starting torque	Starting current	Breakdown torque	Moment of inertia	Weight
		P_N [kW]	[HP]										
2p=2 n_s=3000 rpm													
148.	Sh 355 H2A	160	220	2978	513	94,8	0,89	18,3	1,2	6,6	2,7	2,3	1820
149.	Sh 355 H2B	200	270	2978	641	95,3	0,90	22,3	1,3	6,7	2,7	2,5	1870
150.	Sh 355 H2C	250	340	2978	802	95,7	0,90	27,9	1,4	6,7	2,6	2,8	1950
151.	Sh 355 H2D	315	430	2978	1010	96,0	0,91	34,7	1,5	6,7	2,6	3,2	2060
152.	Sh 400 H2A	355	480	2983	1137	95,7	0,89	40,1	1,2	6,1	2,2	4,1	2600
153.	Sh 400 H2B	400	540	2981	1281	95,9	0,89	45,1	1,3	6,3	2,3	4,5	2600
154.	Sh 400 H2C	450	610	2983	1441	96,1	0,89	50,7	1,3	6,4	2,3	4,7	2670
155.	Sh 400 H2D	500	680	2983	1601	96,3	0,89	56,1	1,3	6,6	2,3	5	2790
156.	Sh 400 H2E	560	760	2984	1792	96,5	0,89	62,7	1,5	7,0	2,4	5,8	3010
157.	Sh 450 H2B	630	850	2988	2014	97,0	0,90	69,4	1,0	7,1	2,8	12,4	4100
158.	Sh 450 H2C	710	960	2987	2270	96,7	0,89	79	0,8	6,9	2,8	13,1	4190
159.	Sh 450 H2D	800	1080	2989	2556	97,3	0,90	88	0,9	7,2	2,8	14	4250
160.	Sh 500 H2A	900	1210	2989	2876	97,2	0,89	100	0,5	5,5	2,1	21,9	5800
161.	Sh 500 H2B	1000	1350	2988	3196	97,3	0,89	111	0,5	5,6	2,1	24	6090
162.	Sh 500 H2C	1120	1510	2988	3580	97,3	0,89	125	0,6	5,9	2,1	28	6350
163.	Sh 500 H2D	1250	1680	2989	3994	97,5	0,89	139	0,6	5,9	2,2	30	6700
164.	Sh 560 H2A	1400	1880	2990	4472	97,5	0,89	155	0,5	6,1	2,0	44,4	7650
165.	Sh 560 H2B	1600	2140	2991	5109	97,5	0,89	178	0,6	6,5	2,2	49,6	8000
166.	Sh 560 H2C	1800	2400	2992	5745	97,6	0,89	200	0,7	7,0	2,3	56,8	8550
2p=4 n_s=1500 rpm													
167.	Sh 355 H4A	160	220	1490	1026	95,6	0,82	19,6	1,2	6,4	2,6	4,3	1950
168.	Sh 355 H4B	200	270	1488	1284	95,8	0,84	23,9	1,2	6,0	2,4	5,0	2060
169.	Sh 355 H4C	250	340	1487	1606	96,1	0,84	29,8	1,2	6,0	2,4	5,4	2160
170.	Sh 355 H4D	315	430	1486	2024	96,2	0,85	37,1	1,2	5,8	2,2	6,1	2280
171.	Sh 400 H4B	355	480	1490	2276	96,3	0,84	42,2	1,3	6,5	2,5	8,2	2920
172.	Sh 400 H4C	400	540	1491	2562	96,6	0,83	48,0	1,4	7,3	2,8	9,1	3110
173.	Sh 400 H4D	450	610	1489	2886	96,5	0,83	54,0	1,5	7,0	2,8	9,8	3200
174.	Sh 400 H4E	500	680	1489	3207	96,5	0,83	60,0	1,6	7,2	2,9	10,5	3350
175.	Sh 400 H4Em	560	760	1491	3587	96,7	0,85	65,6	1,3	6,0	2,6	13,8	3450
176.	Sh 450 H4A	630	850	1493	4030	96,9	0,88	71,1	0,9	6,4	2,4	23,2	3980
177.	Sh 450 H4B	710	960	1494	4538	96,8	0,89	79,3	0,9	6,9	2,5	24,4	4330
178.	Sh 450 H4C	800	1080	1493	5117	97,2	0,89	89,0	0,9	6,7	2,4	26,3	4450
179.	Sh 500 H4A	900	1210	1494	5753	97,3	0,87	102	0,9	6,3	2,3	48,0	5840
180.	Sh 500 H4B	1000	1350	1494	6392	97,4	0,88	112	0,9	6,3	2,3	52,7	6180
181.	Sh 500 H4C	1120	1510	1494	7159	97,5	0,88	126	0,7	6,5	2,3	54,0	6400
182.	Sh 500 H4D	1250	1680	1495	7985	97,5	0,88	140	0,7	6,7	2,4	60,2	6700
183.	Sh 500 H4E	1400	1880	1494	8949	97,5	0,89	155	0,9	7,0	2,4	64,2	7260
184.	Sh 560 H4B	1600	2140	1493	10234	97,5	0,89	177	0,9	6,0	2,1	104	8450
185.	Sh 560 H4C	1800	2400	1494	11506	97,5	0,89	199	0,9	6,3	2,0	119	9020

Totally Enclosed IP 55
Mounting Arrangement IM 1001 (B3)
Cooling System IC 411
Voltage 6000 V, 50 Hz

High Efficiency Motors

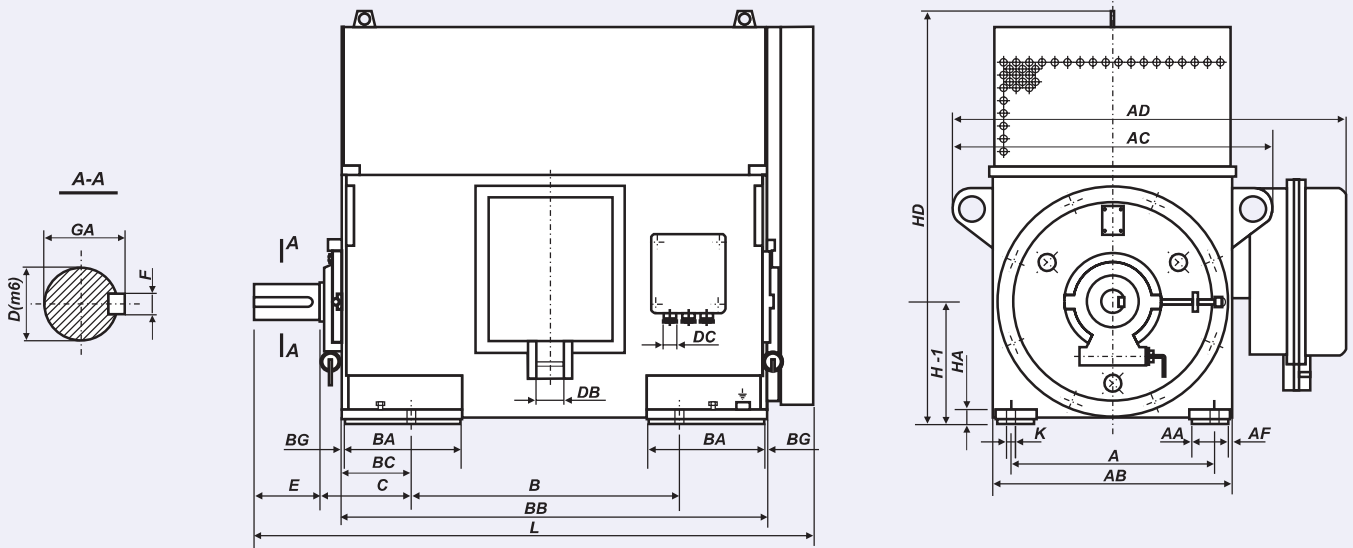
Item	Type of motor	Rated output		Rated Speed	Rated torque	Efficiency	Power factor	Full load current	Starting torque	Starting current	Breakdown torque	Moment of inertia	Weight
		P_N [kW]	[HP]										
2p=6 $n_s=1000$ rpm													
186.	Sh 355 H6A	160	220	992	1540	94,7	0,79	20,6	1,4	6,4	2,6	6,9	2030
187.	Sh 355 H6B	200	270	991	1927	94,9	0,8	25,3	1,4	6,2	2,4	8,2	2140
188.	Sh 355 H6C	250	340	991	2409	95,2	0,8	31,6	1,4	6,2	2,4	9,4	2280
189.	Sh 400 H6A	315	430	993	3029	95,6	0,8	39,6	1,2	6,2	2,3	12,5	2930
190.	Sh 400 H6B	355	480	992	3414	95,8	0,8	44,6	1,2	6,1	2,2	13,8	3075
191.	Sh 400 H6C	400	540	993	3847	95,9	0,81	49,6	1,2	6,2	2,2	14,7	3240
192.	Sh 450 H6A	450	610	992	4332	96,0	0,84	53,7	0,8	5,2	2,2	25,3	3800
193.	Sh 450 H6B	500	680	992	4814	96,2	0,84	60	0,9	5,4	2,3	27,9	4050
194.	Sh 450 H6C	560	760	994	5380	96,3	0,84	66,7	1,0	6,4	2,5	33,6	4250
195.	Sh 450 H6D	630	850	994	6053	96,5	0,84	74,8	1,0	6,5	2,6	38,3	4650
196.	Sh 500 H6A	710	960	996	6808	96,7	0,84	84,1	1,0	6,8	2,5	57,3	6130
197.	Sh 500 H6B	800	1080	995	7678	96,8	0,85	93,6	1,1	7,2	2,4	61	6280
198.	Sh 500 H6C	900	1210	995	8638	97,0	0,85	105	1,0	6,5	2,3	67,4	6540
199.	Sh 500 H6D	1000	1350	995	9598	96,9	0,85	117	0,9	6,2	2,2	72,6	6830
200.	Sh 500 H6E	1120	1510	995	10750	97,0	0,86	129	0,9	6,1	2,1	82,5	7220
201.	Sh 560 H6A	1250	1680	996	11985	97,4	0,86	144	0,7	6,2	2,2	118	8000
202.	Sh 560 H6B	1400	1880	996	13424	97,5	0,86	161	0,75	6,4	2,2	131	8440
203.	Sh 560 H6C	1600	2140	996	15341	97,6	0,86	184	0,8	6,5	2,2	148	9210
2p=8 $n_s=750$ rpm													
204.	Sh 355 H8A	160	220	740	2065	93,8	0,74	22,1	1,0	4,3	1,8	7,3	2140
205.	Sh 355 H8B	180	240	740	2323	94	0,74	24,8	1,0	4,2	1,8	8,3	2190
206.	Sh 355 H8C	200	270	740	2581	94,2	0,74	27,6	1,0	4,2	1,7	9,5	2265
207.	Sh 400 H8A	250	340	744	3209	94,8	0,74	34,3	1,1	5,2	2,4	19,1	3150
208.	Sh 400 H8B	315	430	744	4043	95,2	0,74	43	1,1	5,0	2,4	22	3360
209.	Sh 450 H8A	355	480	744	4557	95,9	0,78	46	1,0	5,6	2,3	32,4	4100
210.	Sh 450 H8B	400	540	744	5134	96	0,78	51,4	1,0	5,6	2,2	35,7	4250
211.	Sh 450 H8C	450	610	744	5776	96,1	0,78	57,8	1,0	5,7	2,3	38,6	4560
212.	Sh 450 H8D	500	680	744	6418	96,2	0,78	64,2	1,0	5,8	2,3	45	4750
213.	Sh 500 H8A	560	760	745	7179	96,3	0,83	67,4	0,8	5,8	2,3	63,5	5890
214.	Sh 500 H8B	630	850	745	8076	96,4	0,82	76,7	0,9	6,0	2,3	71,9	6170
215.	Sh 500 H8C	710	960	745	9101	96,4	0,82	86,4	0,9	6,0	2,3	82,0	6470
216.	Sh 500 H8D	800	1080	746	10241	96,6	0,82	97,2	1,0	6,5	2,4	94,6	6890
217.	Sh 560 H8A	900	1210	746	11521	96,6	0,8	112	0,9	6,7	2,4	118	7200
218.	Sh 560 H8B	1000	1350	746	12802	96,9	0,8	124	0,9	6,8	2,4	131	7880
2p=10 $n_s=600$ rpm													
219.	Sh 450 H10A	280	380	594	4502	95,1	0,81	35	0,9	5,6	2,4	43,8	3890
220.	Sh 450 H10B	315	430	594	5064	95,3	0,81	39,3	1,0	5,9	2,5	48,5	4060
221.	Sh 450 H10C	355	480	594	5707	95,4	0,81	44,2	1,0	6,0	2,6	55	4300
222.	Sh 500 H10A	400	540	592	6453	95,2	0,83	48,8	1,1	4,9	2,0	71,6	5400
223.	Sh 500 H10B	450	610	592	7259	95,2	0,83	54,9	1,1	4,8	1,9	82,9	5690
224.	Sh 500 H10C	500	680	592	8066	95,4	0,83	60,7	1,2	5,1	2,0	94,5	5960
225.	Sh 500 H10D	560	760	593	9018	95,6	0,83	67,9	1,2	5,3	2,0	109	6290
226.	Sh 500 H10E	630	850	594	10129	95,8	0,83	76,3	1,5	6,3	2,4	116	6490
227.	Sh 560 H10A	710	960	593	11434	96,2	0,83	85,7	1,2	6,2	2,2	153	7200
228.	Sh 560 H10B	800	1080	593	12884	96,3	0,83	96,4	1,0	5,8	2,0	169	7600
2p=12 $n_s=500$ rpm													
229.	Sh 500 H12A	315	430	494	6089	95,1	0,82	38,9	0,8	5,3	2,2	60	5400
230.	Sh 500 H12B	355	480	495	6849	95,2	0,82	43,8	0,9	5,6	2,3	65	5560
231.	Sh 500 H12C	400	540	495	7717	95,3	0,82	49,3	0,9	5,6	2,3	72	5770
232.	Sh 500 H12D	450	610	495	8682	95,4	0,82	55,4	1,0	6,0	2,4	81	6000
233.	Sh 500 H12E	500	680	494	9666	95,1	0,83	61,0	0,9	5,2	2,0	85,6	6150

TECHNICAL DATA

**TOTALLY ENCLOSED MOTORS - IP 54
MOUNTING ARRANGEMENT - IM B3**

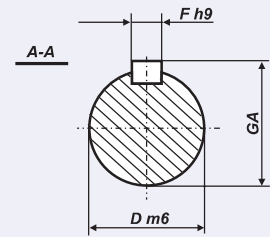
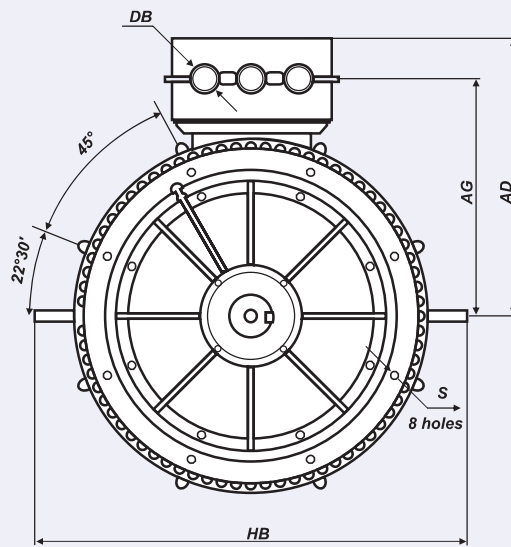
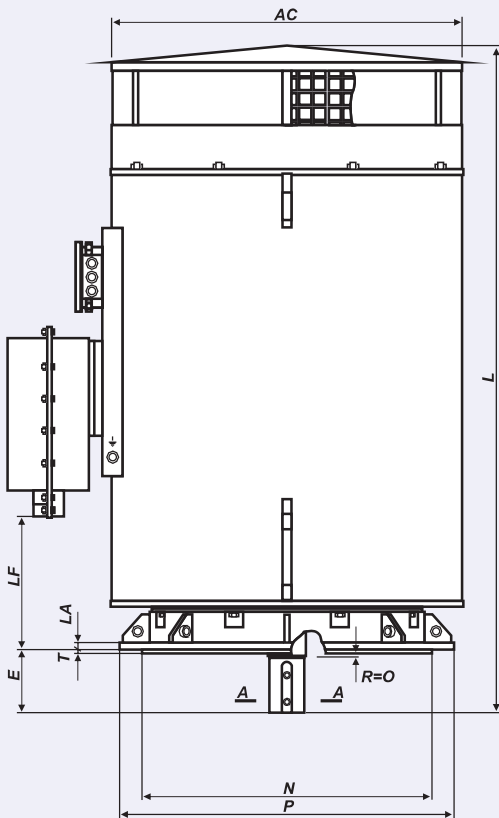


DIMENSIONAL DRAWINGS



Motor type	Poles	A	AA	AB	AC	AD	AF	B	BA	BB	BC	BG	C	D	DB	DC	E	F	GA	GD	H	HA	HD	K	L
Sf 315 XK;X	2	560	100	660	882	1110	11	710	320	1170	181	10	224	70	55	15	140	20	74,5	12	315	31	1085	28	1730
Sf 315 Y	2	560	100	660	882	1110	11	800	320	1170	181	10	224	70	55	15	140	20	74,5	12	315	31	1085	28	1730
Sf 315 X	4-6	560	100	660	882	1110	11	710	320	1170	181	10	224	90	55	15	170	25	95,0	14	315	31	1085	28	1610
Sf 315 Y	4-6	560	100	660	882	1110	11	800	320	1250	181	10	224	90	55	15	170	25	95,0	14	315	31	1085	28	1700
Sf 355 Y;YB	2	630	100	750	972	1195	10	900	320	1273	203	10	254	75	55	15	140	20	79,5	12	355	28	1303	28	1930
Sf 355 X	4-8	630	100	750	972	1195	10	800	320	1273	203	10	254	100	55	15	210	28	106,0	16	355	28	1303	28	1860
Sf 355 Y	4-8	630	100	750	972	1195	10	900	320	1373	203	10	254	100	55	15	210	28	106,0	16	355	28	1303	28	1960
Sf 400 X	4-8	710	130	866	1092	1306	10	900	490	1540	203	10	280	110	55	15	210	28	116,0	16	400	32	1400	35	2136
Sf 400 Y	4-8	710	130	866	1092	1306	10	1000	490	1540	203	10	280	110	55	15	210	28	116,0	16	400	32	1400	35	2136
Sf 450 X	4-12	800	130	980	1198	1415	10	1000	390	1540	238	10	315	120	55	15	210	32	127,0	18	450	32	1603	35	2146
Sf 450 Y	4-12	800	130	980	1198	1415	10	1120	390	1540	238	10	315	120	55	15	210	32	127,0	18	450	32	1603	35	2146

**TOTALLY ENCLOSED MOTORS - IP 54
MOUNTING ARRANGEMENT - IM V1**

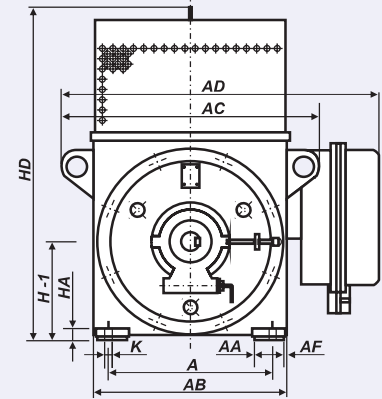
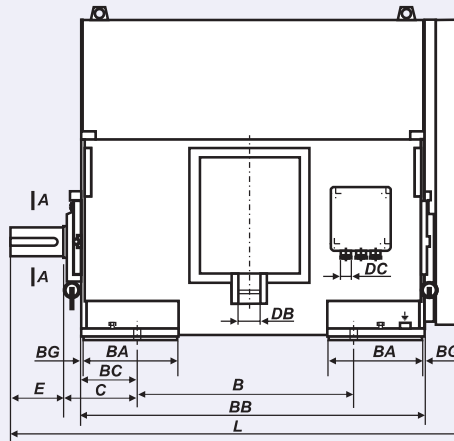
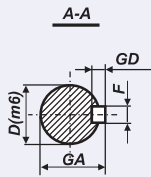


Motor type	AC	AD	AG	D	DB	E	F	GA	HB	L	LA	LF	M	N	P	R	S	T	NK
SVf 355 XA, XB, XC	966	870	729	100	55	210	28	106	1228	1766	24	353	740	680	800	0	22	6	M24
SVf 355 X, Y	966	870	729	100	55	210	28	106	1228	1966	24	392	740	680	800	0	22	6	M24
SVf 400 X, Y	1096	933	793	110	55	210	28	116	1354	2212	30	424	940	880	1000	0	25	6	M24
SVf 450 X, Y	1226	1000	860	120	55	210	32	127	1484	2295	30	500	1080	1000	1150	0	28	6	M36

DIMENSIONAL DRAWINGS

TOTALLY ENCLOSED MOTORS - IP 55
MOUNTING ARRANGEMENT - IM B3

MOTORS FOR POWER ENGINEERING INDUSTRY

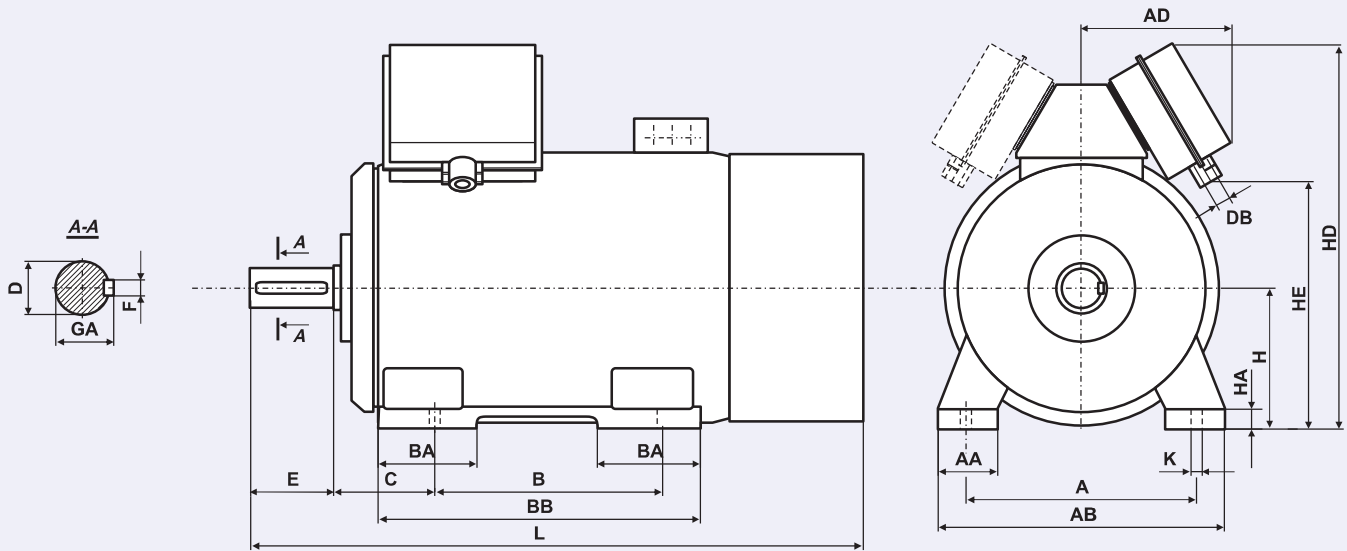


DIMENSIONAL DRAWINGS

Motor type	Poles	A	AA	AB	AC	AD	AF	B	BA	BB	BC	BG	C	D	DB	DC	E	F	GA	GD	H	HA	HD	K	L
Sf 315 Y-E	6	560	100	660	882	1110	11	800	320	1250	181	10	224	90	55	15	170	25	95	14	315	31	1085	28	1700
Sf 355 X-E	4+8	630	100	750	972	1195	10	800	320	1273	203	10	254	100	55	15	210	28	106	16	355	28	1305	28	1860
Sf 355 Y-E	2	630	100	750	972	1195	10	900	320	1273	203	10	254	75	55	15	140	20	79,5	12	355	28	1303	28	1930
Sf 355 Y-E	4+8	630	100	750	972	1195	10	900	320	1373	203	10	254	100	55	15	210	28	106	16	355	28	1303	28	1960
Sf 400 X-E	4+8	710	130	866	1092	1306	10	900	490	1540	203	10	280	110	55	15	210	28	116	16	400	32	1400	35	2136
Sf 400 Y-E	4+8	710	130	866	1092	1306	10	1000	490	1540	203	10	280	110	55	15	210	28	116	16	400	32	1400	35	2136
Sf 450 X-E	4+8	800	130	980	1198	1415	10	1000	390	1540	238	10	315	120	55	15	210	32	127	18	450	32	1603	35	2146
Sf 450 Y-E	4+8	800	130	980	1198	1415	10	1120	390	1540	238	10	315	120	55	15	210	32	127	18	450	32	1603	35	2146
Sf 560 X-E	4+8	1000	160	1144	1388	1592	10	1120	325	1540	202	10	280	120	55	15	210	32	127	18	560	30	1833	42	2151
Sf 560 Y-E	4+8	1000	160	1144	1388	1592	10	1120	325	1540	202	10	280	120	55	15	210	32	127	18	560	30	1833	42	2151
Sf 560 YB-E	4	1000	160	1144	1388	1592	10	1120	325	1540	202	10	280	125	55	15	210	32	132	18	560	30	1833	42	2151
Sf 560 H-E	4+8	1000	160	1144	1388	1592	10	1400	370	1868	234	10	315	140	55	15	250	36	148	20	560	30	1833	42	2520
Sf 560 HB-E	4+8	1000	160	1144	1388	1592	10	1400	370	1868	234	10	315	140	55	15	250	36	148	20	560	30	1833	42	2520
Sf 710 X, Y	4+6	1250	200	1420	1596	1829	10	1250	500	1835	268	10	450	160	55	15	300	40	190	25	710	35	2300	42	2690
Sf 710 Y, Y	8+12	1250	200	1420	1596	1829	10	1250	500	1835	268	10	450	180	55	15	300	45	190	25	710	35	2300	42	2690

**TOTALLY ENCLOSED MOTORS - IP 55
MOUNTING ARRANGEMENT - IM B3**

HIGH EFFICIENCY MOTORS

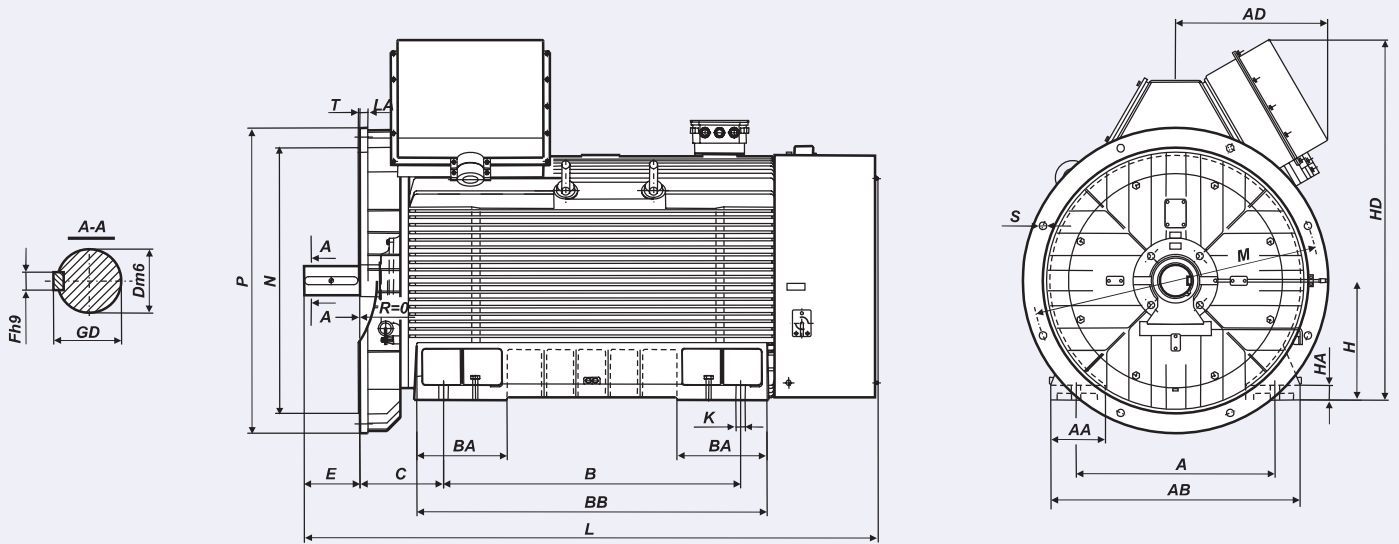


DIMENSIONAL DRAWINGS

Motor type	Poles	A	B	C	D	E	F	GA	H	HA	K	AA	AB	AD	BA	BB	HD	HE	L	DB
Sh 355 H	2	610	900	200	70	140	20	75	355	45	28	160	730	565	265	1045	1187	586	1800	55
Sh 355 H	4-8	610	900	200	100	210	28	106	355	45	28	160	730	565	265	1045	1187	586	1870	55
Sh 400 H	2	686	1000	224	80	170	22	85,5	400	50	35	175	840	565	265	1160	1277	677	1975	55
Sh 400 H	4-8	686	1000	224	110	210	28	116	400	50	35	175	840	565	265	1160	1277	677	1960	55
Sh 450 H	2	750	1120	450	80	170	22	85,5	450	60	35	205	940	572	340	1320	1356	831	2410	55
Sh 450 H	4-10	750	1120	254	110	210	28	116	450	60	35	205	940	572	340	1320	1356	831	2105	55
Sh 500 H	2	850	1250	450	90	170	25	95	500	70	42	223	1050	567	300	1450	1470	946	2758	55
Sh 500 H	4-12	850	1250	280	120	210	32	127	500	70	42	223	1050	567	300	1450	1470	946	2430	55
Sh 560 H	2	950	1400	450	110	210	28	116	560	70	45	220	1180	570	320	1600	1570	1061	2990	60
Sh 560 H	4-10	950	1400	315	140	250	36	148	560	70	45	220	1180	570	320	1600	1570	1061	2660	60

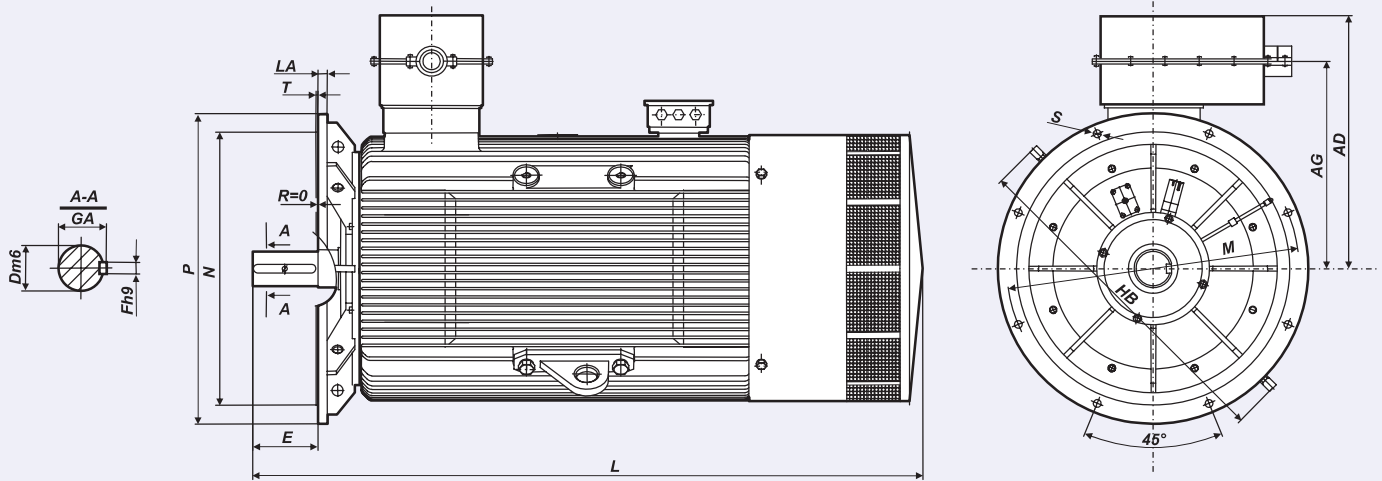
TOTALLY ENCLOSED MOTORS - IP 55
MOUNTING ARRANGEMENT - IM2001 (B35)

DIMENSIONAL DRAWINGS



Motor type	Poles	A	B	C	D	E	F	GA	H	HA	K	AA	AB	AD	BA	BB	HD	L	LA	P	M	N	S	T
SLh 355H	2	610	900	254	70	140	20	74,5	355	45	28	160	730	565	265	1045	1187	1854	24	800	740	680	22	6
SLh 355H	4+8	610	900	254	100	210	28	106	355	45	28	160	730	565	265	1045	1187	1924	24	800	740	680	22	6
SLh 400H	2	686	1000	280	80	170	22	85	400	50	35	175	840	565	265	1160	1277	2031	30	1000	940	800	25	6
SLh 400H	4+8	686	1000	280	110	210	28	116	400	50	35	175	840	565	265	1160	1277	2016	30	1000	940	800	25	6
SLh 450H	2	750	1120	315	80	170	22	85,5	450	60	35	205	940	572	340	1320	1356	2220	30	1150	1080	1000	28	6
SLh 450H	4+10	750	1120	315	110	210	28	116	450	60	35	205	940	572	340	1320	1356	2162	30	1150	1080	1000	28	6
SLh 500H	4+12	850	1250	355	120	210	32	127	500	70	42	223	1050	567	300	1450	1470	2505	30	1150	1080	1000	28	6

**TOTALLY ENCLOSED MOTORS - IP 55
MOUNTING ARRANGEMENT - IM3011 (V1)**



Motor type	Poles	AD	AG	D	E	F	GA	L	LA	HB	M	N	P	S	T
SVh 355H	4÷8	767	620	100	210	28	106	1955	24	1050	740	680	800	22	6
SVh 400H	4÷8	814	668	110	210	28	116	2090	37	1150	940	880	1000	23	6
SVh 450H	4÷10	875	735	110	210	28	116	2350	30	1290	1080	1000	1150	28	6
SVh 500H	4÷12	935	796	120	210	32	127	2504	30	1450	1080	1000	1150	28	6
SVh 560H	4÷10	975	836	140	250	36	148	2750	30	---	1320	1250	1400	28	6

DIMENSIONAL DRAWINGS

PRODUCTION PROGRAM

GENERAL PURPOSE 3-PHASE INDUCTION MOTORS

GENERAL PURPOSE 1-PHASE INDUCTION MOTORS

HIGH VOLTAGE INDUCTION MOTORS

- Totally enclosed motors IP55
- Totally enclosed motors for power engineering IP55
- Open drip proof motors IP23

MOTORS WITH INCREASED RATED OUTPUT

MOTORS WITH FOREIGN COOLING

- Motors with foreign cooling IP54 (IP55)
- Motors with foreign cooling IP20

3-PHASE INDUCTION MOTORS FOR PUMPS

- Standard motors for pumps
- Explosion-proof motors for pumps
- Explosion-proof marine motors for pumps

MOTORS TO BE BUILT-IN

- 1-phase motors to be built-in
- 3-phase motors to be built-in

BRAKE MOTORS

- Brake motors (with DC brake)
- Brake motors (with AC brake)

EXPLOSION-PROOF MOTORS

- Increased safety motors
- Flame-proof motors
- Flame-proof marine motors
- Special purpose flame-proof motors for mining
- Special purpose flame-proof motors for chemical industry
- Special purpose flame-proof marine motors
- High voltage flame-proof motors

MOTORS FOR AXIAL-FLOW FANS

- 1-phase motors for axial-flow fans
- 3-phase motors for axial-flow fans
- 3-phase motors for axial-flow mining fans
- 3-phase explosion-proof motors for air duct axial-flow fans
- 3-phase marine motors for axial-flow fans
- 3-phase explosion-proof marine motors for axial-flow fans
- 3-phase multi-speed motors for axial-flow fans
- 3-phase multi-speed motors for air duct axial-flow fans

PRODUCTION PROGRAM

MULTI-SPEED MOTORS

- General purpose 2-speed motors
- General purpose multi-speed motors

MARINE MOTORS

- General purpose marine motors
- Marine motors for pumps
- Marine motors for axial-flow fans
- Marine motors for boat davits
- Marine motors for tubular rudders
- General purpose explosion-proof marine motors
- Explosion-proof marine motors for pumps
- Explosion-proof marine motors for axial-flow fans

SLIP RING INDUCTION MOTORS

- Totally enclosed (IP 54, 55) wound rotor induction motors
- Open drip proof (IP 23) wound rotor induction motors

CRANE MOTORS

- Squirrel cage crane motors
- Slip ring rotor crane motors
- Two-speed crane motors with brake

SPECIAL PURPOSE INDUCTION MOTORS

- Motors with increased slip
- Roller table motors for iron and steel industry
- 1-phase motors with shaft height 65 mm
- 3-phase motors with shaft height 65 mm

NEMA MOTORS ACCORDING TO EPACT AND NEMA PREMIUM REQUIREMENTS

ACCESSORIES

- DC electromagnetic disc brakes
- AC electromagnetic disc brakes
- Powder brakes and clutches
- Thrustors

KOLMER ELEKTROMOTOREN B.V.



Your Solid Partner for Flexible Power



Industrieweg 16 - 3881 LB Putten - 0341-369696
www.kolmer.nl

TD213